

# IC-35-C

CAPACITIES APPLY TO OPERATION ON FIRM LEVEL SURFACE								
LOAD RADIUS FEET	MAIN BOOM OR EXTENSION CAPACITIES IN POUNDS							
	360° ROTATION		OVER FRONT					
	ON RUBBER	ON OUTRIGGERS	ON RUBBER	ON OUTRIGGERS				
MAIN BOOM	4	5000	8000	6700	8000			
	5	4000	6800	5800	6800			
	6	2850	5850	5100	5850			
	8	1800	4150	3500	4150			
	10	1250	3200	2350	3400			
	12	900	2350	1750	2850			
	14	700	1850	1350	2450			
	16	600	1500	1100	2150			
	18	500	1250	950	1950			
	19	450	1150	900	1850			
8' BOOM EXTENSION	20	400	1100	850	1600			
	22	300	900	700	1450			
	24	250	800	600	1300			
	26	200	700	500	1150			
	27	150	650	450	1100			
	8-FOOT BOOM EXTENSION - STRAIGHT OR OFFSET							
	MAIN BOOM ANGLE							
	BOOM EXTENSION ANGLE	0°	10°	20°	30°	40°	50°	60°
+* 0°	1100	1200	1300	1450	1600	1850	2300	3500
* 15°	—	—	1100	1250	1350	1500	1700	2050
* 30°	—	—	—	1100	1200	1300	1450	1600

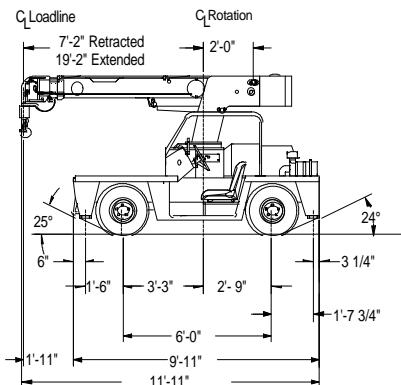
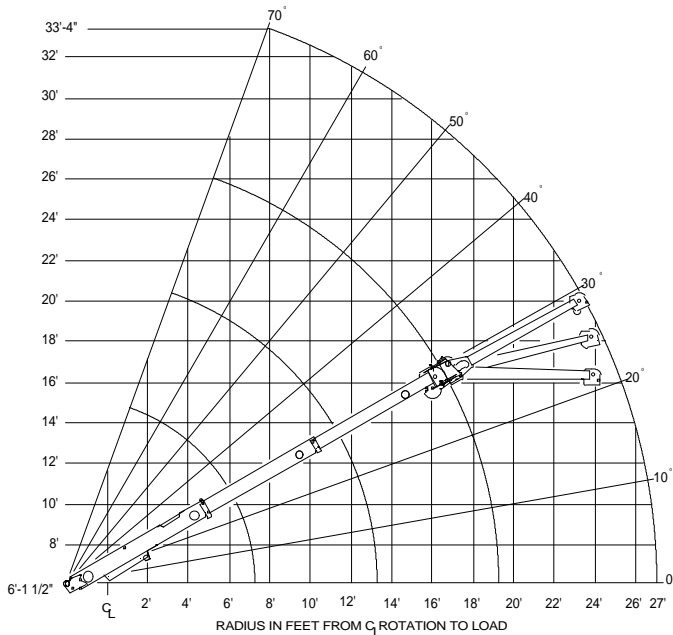
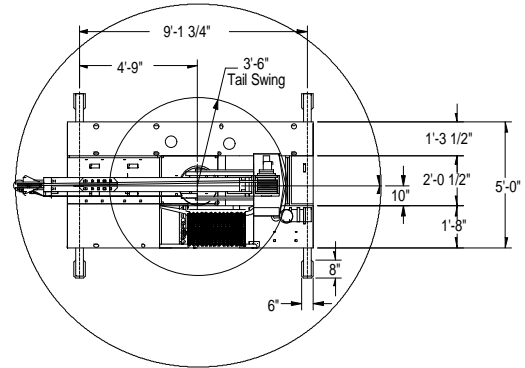
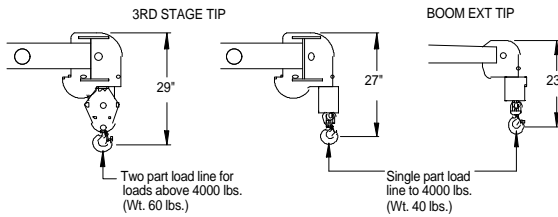
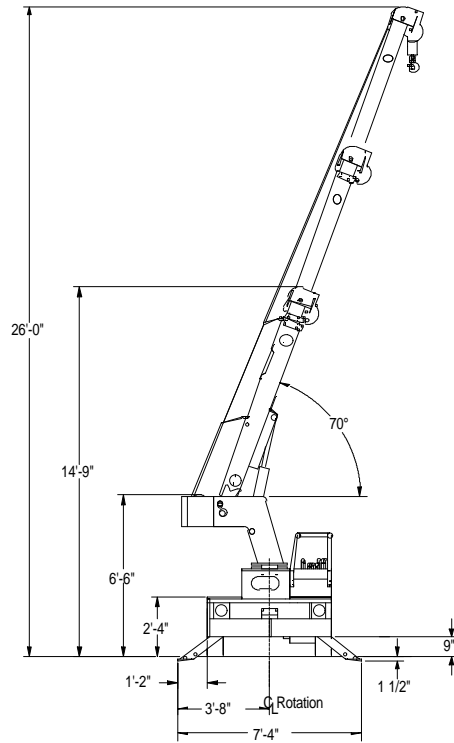
+ USE 0° FOR STRAIGHT BOOM EXTENSION.

\* USE 0°, 15° OR 30° FOR OFFSET BOOM EXTENSION.

BOOM EXTENSION LOADS MUST NOT EXCEED MAIN BOOM CAPACITY.

CAPACITIES ON OUTRIGGERS ARE 85% OF TIPPING LOADS. CAPACITIES ON RUBBER ARE 75% OF TIPPING LOADS. CAPACITIES BELOW BOLD LINE ARE LIMITED BY TIPPING. OTHER CAPACITIES ARE LIMITED BY STRUCTURAL OR HYDRAULIC CAPABILITIES.

CAUTION: BOOM EXTENSION LOADS MUST NOT EXCEED MAIN BOOM CAPACITY. BOOM EXTENSION DEDUCT: 100 LBS. WHEN STOWED ON BASE BOOM, 300 LBS. IN WORK POSITION WITH LOAD ON MAIN BOOM.



# Tech Spec

## General:

<b>Weight</b>	7,260 lbs.
<b>Travel Speed</b>	0 to 10 mph
<b>Drawbar Pull</b>	2,300 lbs.
<b>Gradeability</b>	31% (17 degrees)
<b>Boom Movements:</b>	
Rotation	Continuous Rotation
Elevation	0 to 70 degrees
Extension	7 ft. 2 in. to 19 ft. 2 in.
<b>Boom Speeds:</b>	
Rotation	1.5 RPM
Elevation	19 seconds
Extension	36 seconds

<b>Engine:</b>	<b>Standard</b>	<b>Optional</b>
Make	Ford	Perkins
Model	VSG413	104.19-IDI
Type	Gas	Diesel
Cylinders	4	4
Displacement	79 CID	122 CID
HP @ Governed speed	42 HP	42 HP
Fuel Tank Capacity	13.5 Gallons	

## Hydrostatic Pump:

Piston type, direct driven from engine crankshaft. Maximum flow 36 GPM, maximum pressure 4,000 PSI.

## Axles:

### Front Drive Axle:

Channel shaped structure houses torque hubs, brakes & hydraulic drive motors. Axle oscillates a total of 1-1/2".

### Rear Steering Axle:

Fixed rigid to frame.

## Steering:

Full hydraulic unit controls 2-1/2" steering cylinder attached to rear axle.

## Brakes:

Primary braking from hydrostatic transmission. Foot-actuated disc brake attached into each torque hub for additional braking in some conditions. Parking brake switch, locks brakes to hold crane when not being driven.

## Tires:

Front - 7.5 x 10 pneumatic, 16-ply rating.

Rear - 7.5 x 10 pneumatic, 16-ply rating.

## Chassis:

### Cargo Deck:

29 square feet deck area, 6,000 pounds capacity when centered over front axle or to the rear of front axle.

### Outriggers:

Four hydraulic outriggers of box-beam construction. Independent controls for each. Hydraulic cylinders are equipped with direct-connected holding valves.

### Pulling Eye:

Mounted on front bumper

## Operator's Compartment

Provides one-position access to all chassis and crane functions. Includes adjustable operator's seat & retracting seat belt.

## Electrical System:

### 12 Volt System

**Lighting Group:** One pair headlights and taillights.

### Instrument Group:

Fuel, ammeter, oil pressure, water temperature, hydrostatic oil temperature gauges & hourmeter. Gauges are lighted.

### Back-Up Alarm:

Provides pulsating 97 decible sound when transmission is in reverse.

## Hydraulic System:

Tandem pump mounted to rear of hydrostatic piston pump. Delivers 6 GPM at 2,600 PSI for boom circuits & 18 GPM at 2,250 PSI for hoist circuit. System protected by relief valves. Hydraulic oil tank has 14 gallons capacity. Hydraulic oil cooler provided.

## Boom:

### Boom Assembly:

Three-section boom assembly equipped with bearing pads, double-acting hydraulic cylinders equipped with direct-connected holding valve and boom angle indicators on each side of boom.

### Boom Rotation:

Heavy-duty ball bearing rotation gear with external teeth. Rotation is powered by hydraulic motor & worm gear drive.

### Boom Hoist:

Turret-mounted, planetary gear hoist, hydraulically powered with bare drum line pull of 4,600 lbs. and a line speed of 86 FPM. Hoist includes 85 ft. of 3/8 in. wire rope, downhaul weight, swivel hook and sheave block for 2-part line.

### Anti Two-Block Device:

Prevents damage to hoist rope and/or crane components. Dumps hydraulic flow for Hoist Raise, Telescope Extend and Boom Lower.