

TELESCOPIC BOOM LIFTS

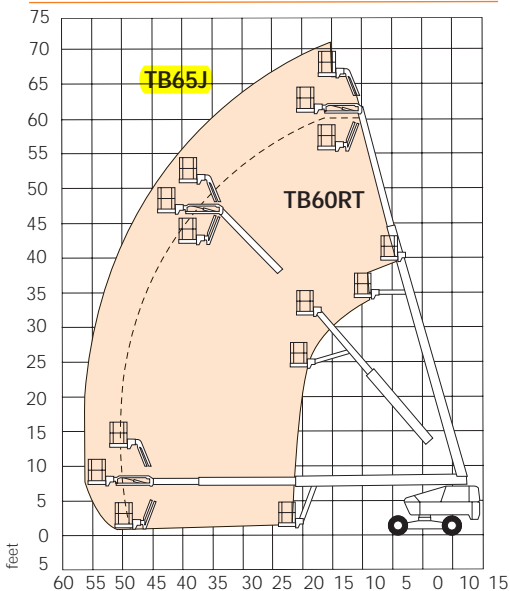
DIMENSIONS	TB60RT	TB65J
Max. working height	66 ft	71 ft
Max. platform height	60 ft	65 ft
Max. horizontal reach	49 ft 10 in	56 ft 1 in
Platform size	8 ft x 3 ft	8 ft x 3 ft
Overall width (A)	8 ft 2 in	8 ft 2 in
Overall length (B)	30 ft 10 in	32 ft 9 in
Stowed height (C)	8 ft 10 in	8 ft 10 in
Wheelbase	9 ft 10 in	9 ft 10 in
Ground clearance	13 in	13 in

PERFORMANCE		
Platform capacity	500 lbs	500 lbs
Max. drive height	60 ft	65 ft 11 in
Max. drive speed (stowed)	2.9 mph	2.9 mph
Max. drive speed (elevated)	0.5 mph	0.6 mph
Jib length	n/a	5 ft
Jib arc	n/a	140 °
Gradeability	30 %	30 %
Inside turning radius	15 ft 5 in	15 ft 5 in
Tires	15in. x 19in. foam filled	
Controls	proportional drive, lift, rotate	
Drive system	4 wheel drive	

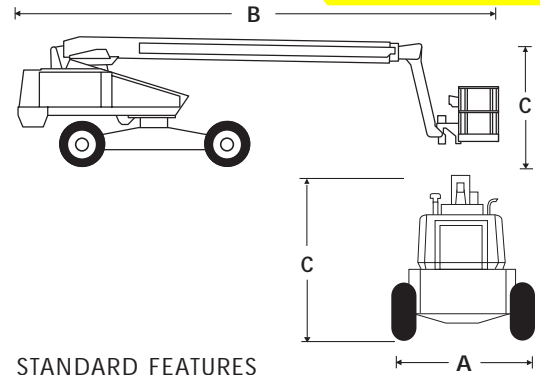
POWER		
Power source	Deutz F4L-2011F air cooled diesel	
Auxillary power unit	12V DC	12V DC

WEIGHT		
Weight	21,731 lbs	26,270 lbs

WORKING ENVELOPE



TB60RT/TB65J



STANDARD FEATURES

- 5 ft, 140 ° jib (TB65J)
- 180 ° hydraulic powered platform rotation
- 4 wheel drive
- Horn
- MWA
- Flashing amber lights
- Proportional controls
- Foam filled lug tires
- Power line to platform
- Driveable at full height
- Operator horn
- 3 entry platform
- ANSI compliant

OPTIONS

- Special paint colors
- Cold weather package
- Hydraulic generator
- Extreme cold weather package
- Light package
- Extreme environmental package
- Airline to platform
- Sandblast protection kit
- Tow package
- Glazier package
- Cummins engine
- GM - DF engine
- 12k generator package
- 12k generator/welder package
- Environmental green oil
- CSA compliant

snorkel www.snorkellifts.com

P.O. Box 1160
 St. Joseph, MO 64502-1160, USA
 Tel: 1 (785) 989-3000
 Toll-free: 1 (800) 255-0317
 Sales Fax: 1 (785) 989-3070
 Parts Fax: 1 (785) 989-3077