

SPECIFICATIONS

Performance

Rated Operating Capacity¹
 ROC with optional counterweight
 Tipping Load
 Hydraulic Pump Capacity
 Travel Speed
 Operating Weight

753

1300 lb. (590 kg)
 1400 lb. (635 kg)
 2600 lb. (1179 kg)
 14.3 GPM (54 L/min)
 6.6 MPH (10.6 km/hr.)
 4740 lb. (2150 kg)

Dimensions

Length (with bucket)
 Width (with bucket)
 Height
 Height to Bucket Pin

120.5 in. (3059 mm)
 55.0 in. (1398 mm)
 77.0 in. (1956 mm)
 109.1 in. (2771 mm)

Engine

Make/Model
 Fuel/Cooling
 Cylinders
 SAE NET HP/Displacement
 Fuel Tank Capacity

Kubota/V2203-EB
 Diesel/Liquid
 4
 43.5 /134 in.³ (2.2 L)
 14 gal. (53 L)

Operation

Steering and Drive
 Hydraulics

Forward, reverse, travel speed and steering controlled by two hand levers.
 Raise/lower lift arms and dump/rollback bucket controlled by two foot pedals or optional hand controls.
 Hydrostatic, four-wheel drive.

Transmission

Standard Features

| | | |
|---|------------------------------|------------------------|
| Adjustable Cushion Seat | Front Auxiliary Hydraulics | Seat Belt |
| Automatically Activated Glow Plugs | Front & Rear Lights | Spark Arrestor Muffler |
| Bobcat Interlock Control System (BICS™) | Lift Arm Support | 7.00-15 Standard Tires |
| Bob-Tach | Meters/Gauges/Warning Lights | |
| Dual Path Cooling System | Operator Cab | |
| Engine/Hydraulic Shutdown | Parking Brake | |
| | Seat Bar | |

Options/Accessories

| | | |
|-------------------------------|---|---|
| Advanced Control System (ACS) | Flasher/Strobe Lights | Side Windows |
| Advanced Hand Controls | Flotation Tires | Skid-Steer Loader Operator Training Kit |
| Attachment Control Kit | Horn | Solid Tires |
| Backup Alarm | Hydraulic Bucket Positioning ² | Sound Package |
| Bobcat Heavy-Duty Tires | Keyless Start System | Special Applications Kit ³ |
| Catalytic Purifier | Rear Auxiliary Hydraulics | Suspension Seat (Vinyl or Cloth Cover) |
| Counterweight Kit | Rear Stabilizer | Top & Rear Windows |
| Deluxe Cab | Segmented Tires | Ultra Grip Tires |
| Deluxe Cab w/Heater | Service Safety Training Kit | Water Kit |
| Deluxe Instrumentation | | |

Bobcat Attachments

| | | |
|---|--------------------------------|--------------------|
| Angle Broom* | Front Scarifier | Sweeper |
| Auger | Grader* | Three Point Hitch |
| Backhoe | Hydraulic Breaker ⁴ | Tiller |
| Brushcat™ Rotary Cutter | Hydraulic Pallet Forks | Tilt-Tatch |
| Buckets | Industrial Grapple | Tracks |
| Chipper* | Landplane | Tree Spade |
| Combination Bucket | Landscape Rake | Trench Compactor |
| Concrete Mixer* | Pallet Forks | Trencher |
| Cutter Crusher | Planer* | Utility Forks |
| Digger | Rear Stabilizer | Vibratory Roller |
| Dozer Blade* | Snow Blade | Whisker Push Broom |
| Dumping Hopper | Snowblower* | |
| Ejector Bucket | Sod Layer* | |
| Farm Grapple (for use with utility forks or bucket) | Soil Conditioner* | |
| | Super Scraper | |

* Attachment Control Kit Required.

The Attractively Priced Bobcat 753 Skid-Steer Loader

The 753 is a smart way to move into the popular G-Series Bobcat line of skid-steer loaders. The machine offers top value for your money. It has a turning radius of 6 feet and a rated operating capacity of 1300 pounds along with features such as heavy-duty drive chains that never need adjustment, removable axle hubs for quick, easy servicing and a dual-path cooling system that cools with debris-free air. The 753 also works with all the same attachments as the other 700 G-Series models, and sells for a very attractive price.

The Multi-Purpose Bobcat 753 Skid-Steer Loader

A hard-working skid-steer loader, with lots of maneuverability and great all-around performance and productivity. The 753 is loaded with time-saving, money-saving features. Here are just a few:

- Great balance of power and maneuverability.
- Choice of seven bucket styles and more than 30 other attachments.
- Bobcat Interlock Control System (BICS)™ is standard.
- Operator friendly cab.

Greater Comfort

The new cab is designed with the operator in mind, for optimum comfort and functionality. And with its wider opening, it's easy to enter and exit.

The new seat bar pivots from the rear, providing secondary restraint protection as well as a comfortable armrest for operators of all sizes. Plus, the new worklight design doubles the amount of illumination to the work area for better operation in low light.

The 753 G-Series also features a new, easy-to-read, highly functional instrument panel, along with a number of improved comfort options.

1300 LB.

*Rated Operating Capacity
 1400 lb. with optional counterweight kit*

109.1 IN.

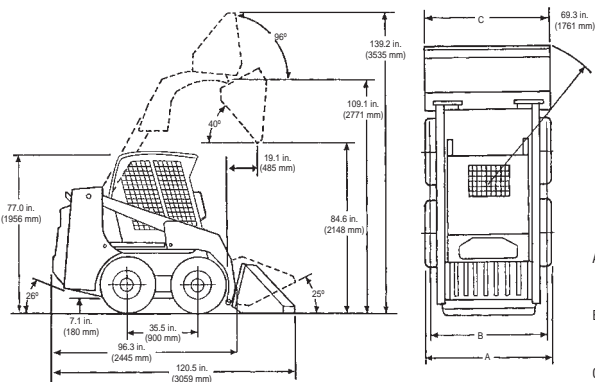
Lift Height

43.5 HP

Liquid-Cooled Diesel Engine

Optional G-Series Deluxe Instrumentation Package includes:

- Multi-language capability
- System diagnostic capability
- All gauges read in metric or English units
- Keyless start security
- Job clock
- Real-time clock
- Help screens



A - 7.00-15 Tires - 53.8 in. (1366 mm)
 10-16.5 Tires - 60.3 in. (1524 mm) or 54 in. (1372 mm)
 6.50-16 Solid Tires - 54 in. (1372 mm)

B - 7.00-15 Tires - 45.4 in. (1154 mm)
 10-16.5 Tires - 50.3 in. (1278 mm) or 44 in. (1118 mm)
 6.50-16 Solid Tires - 47.5 in. (1198 mm)

C - 54 in. Bucket Width - 55.0 in. (1398 mm)
 62 in. Bucket Width - 62.0 in. (1575 mm)

NOTE — Where applicable, dimensions are in accordance with Society of Automotive Engineers (SAE) and ISO standards. Specifications and design are subject to change without notice. Pictures of Bobcat loaders may show other than standard equipment. All dimensions are given for loader equipped with standard tires. All dimensions are shown in inches. Respective metric dimensions are enclosed by parentheses. Bobcat Company complies with the requirements of ISO 9001 as registered with BSI.

¹ Operating capacity rated with standard digging bucket according to SAE standard J818 - OPERATING CAPACITY TO EQUAL NO MORE THAN ONE-HALF THE TIPPING LOAD.

² Bucket positioning helps operator keep the same tilt of the load during lifting.

³ Includes Lexan front door, top and rear windows.

⁴ Special application kit (see #3) must be used.

